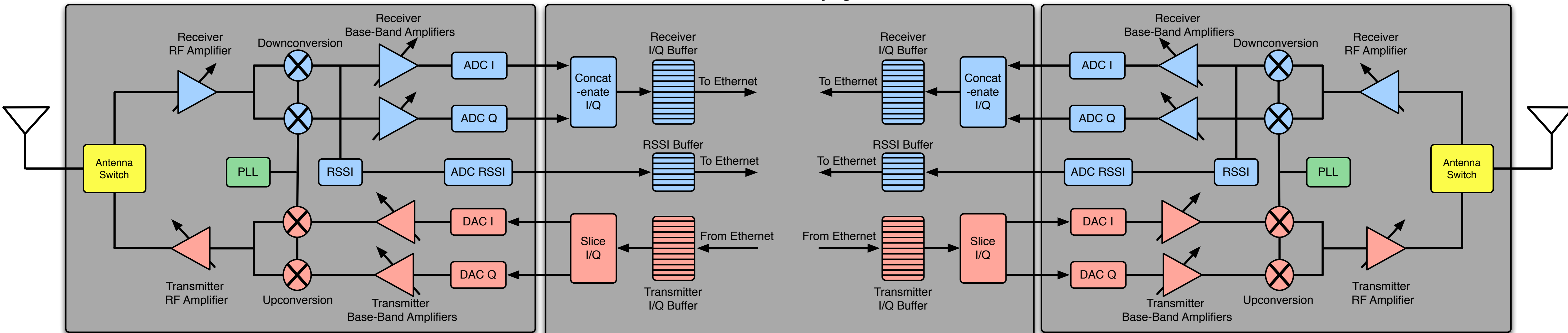


Radio Board Slot 1

FPGA WARPLab Sysgen Core

Radio Board Slot 4



Radio Board Slot 2

Radio Board Slot 3

