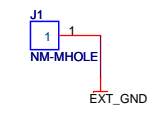
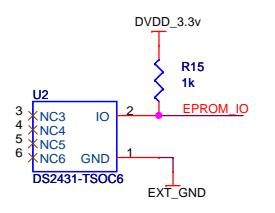
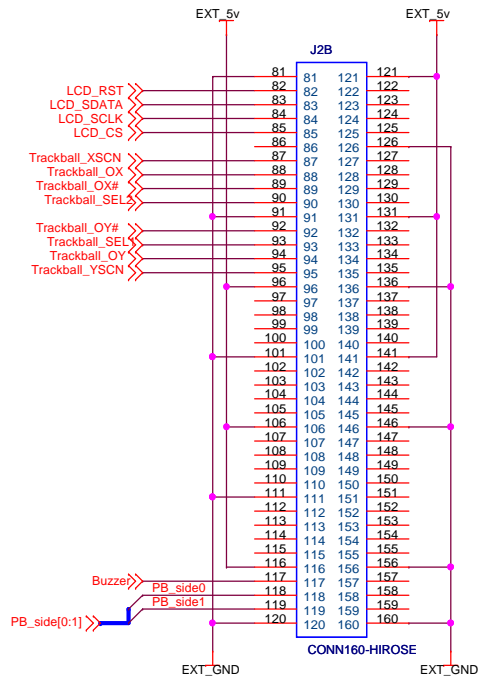
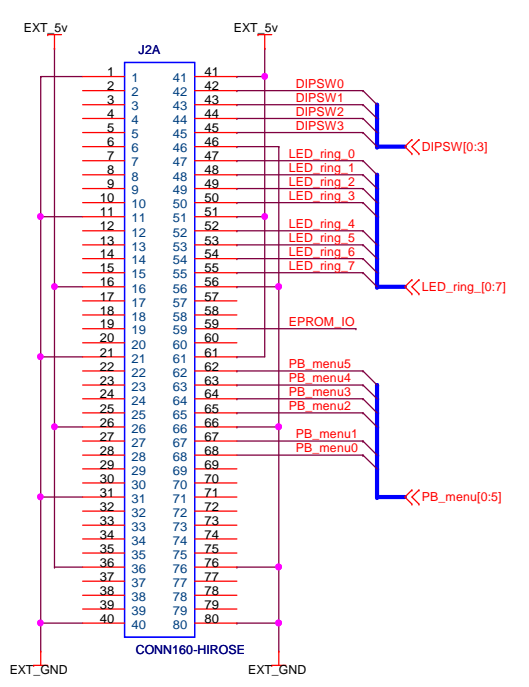


WARP User I/O Board

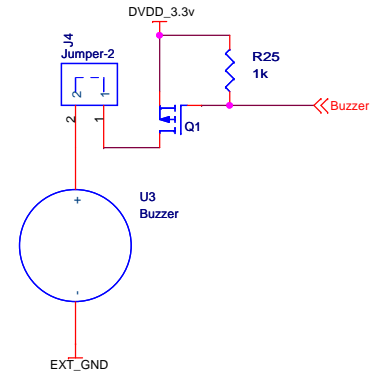
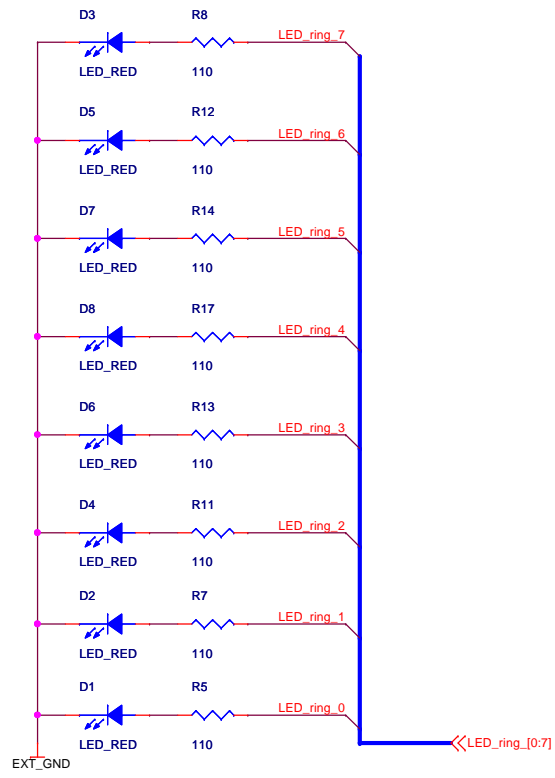
Version 1.0 - Barron Stone

Schematic Pages:

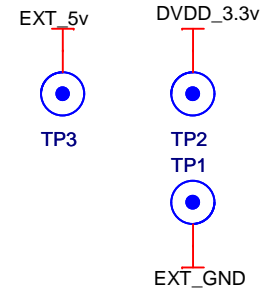
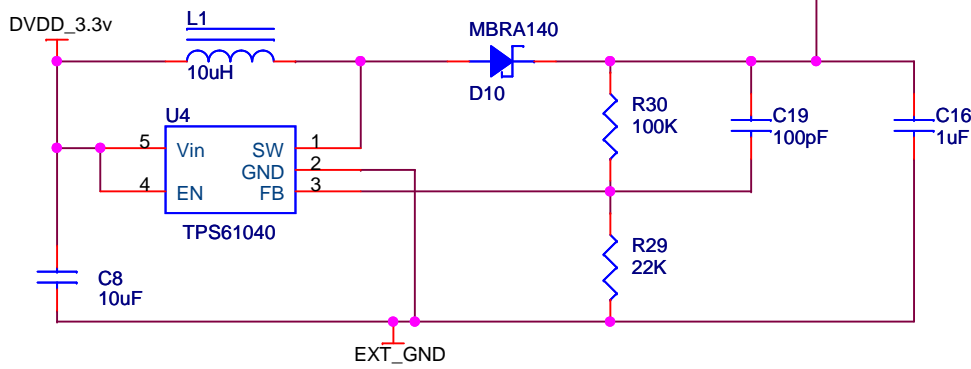
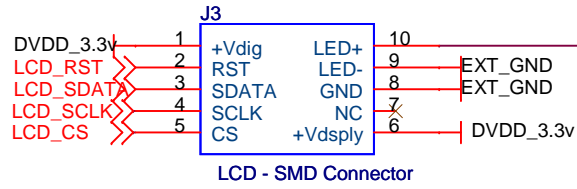
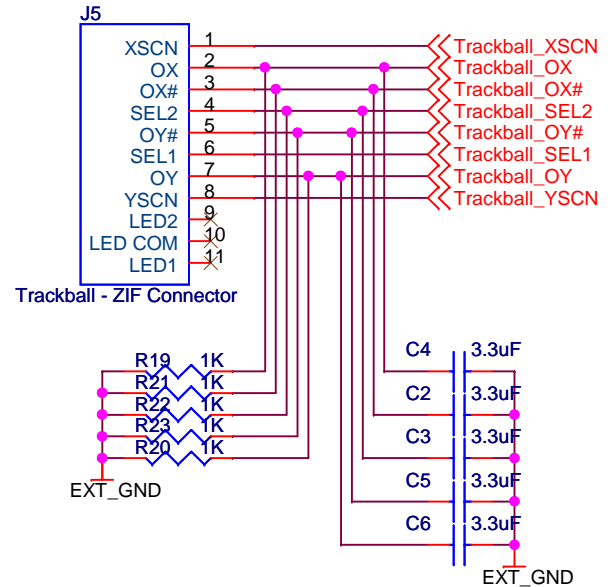
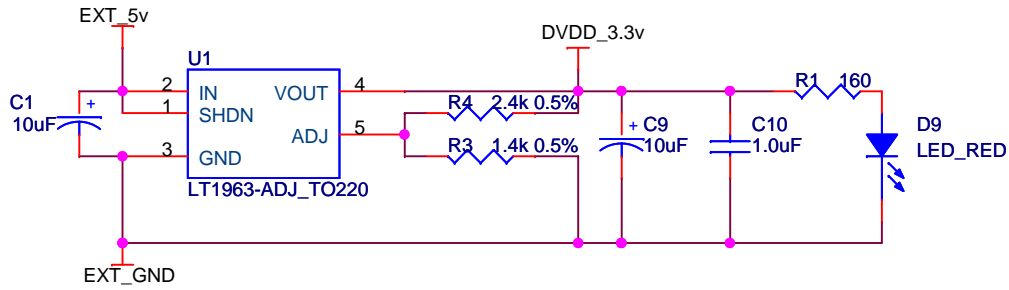
- 1 - Table of Contents
- 2 - Buttons & Switches
- 3 - Daughtercard Headers
- 4 - Trackball & LCD Connectors
- 5 - LEDs



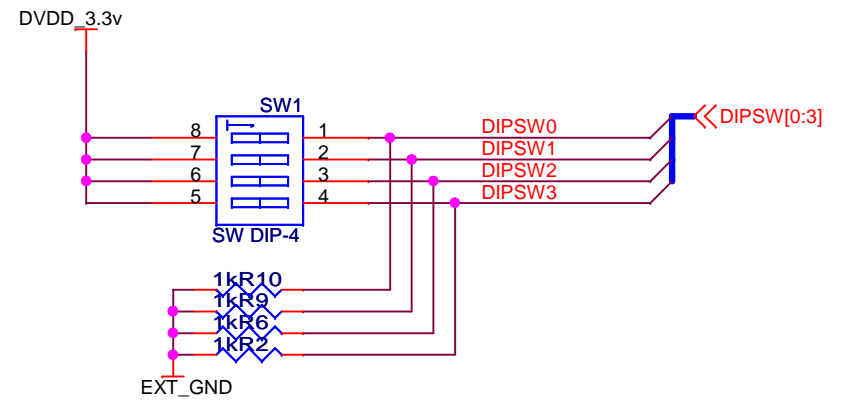
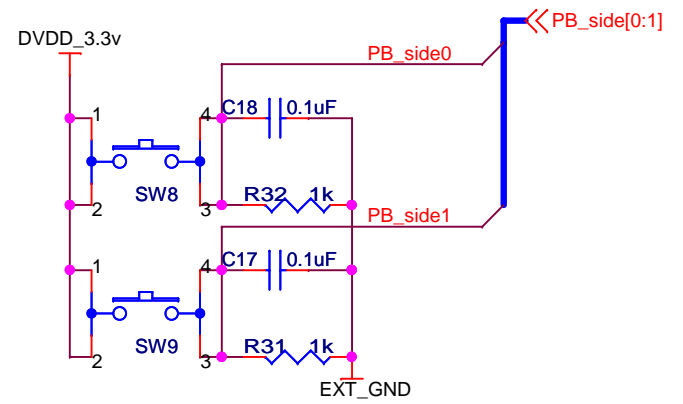
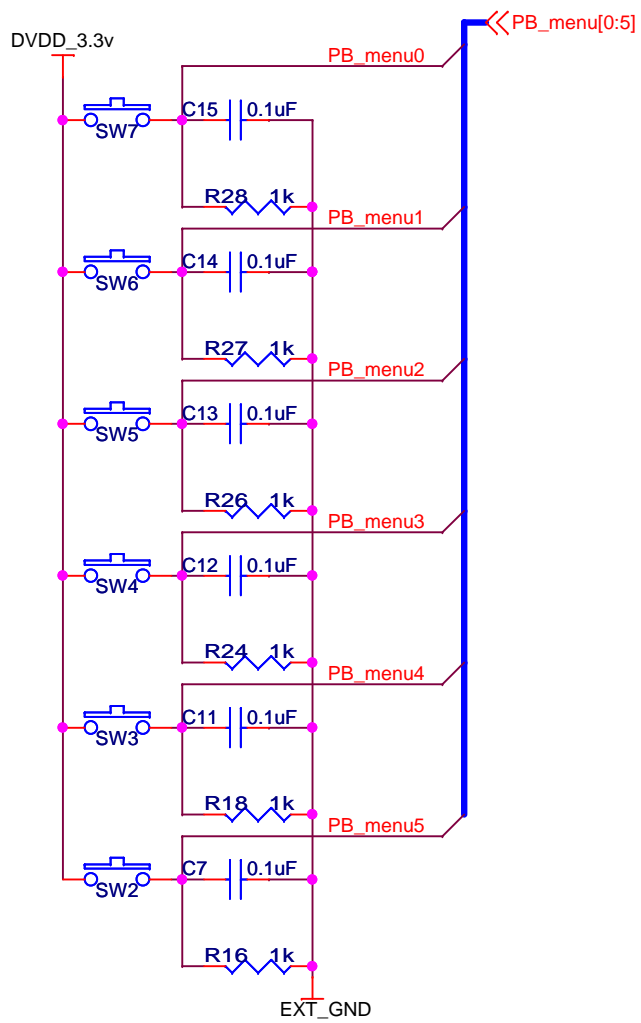
Title			<Title>
Size	Document Number	Rev	
Custom	<Doc>	<RevCode>	
Date:	Friday, April 20, 2007	Sheet	1 of 1



Title		<Title>
Size	Document Number	Rev
Custom-Doc		<RevCod
Date:	Friday, April 20, 2007	Sheet 1 of 1



Title		
<Title>		
Size	Document Number	Rev
A	<Doc>	<Rev Co
Date:	Friday, April 20, 2007	Sheet 1 of 1



Title		
<Title>		
Size	Document Number	Rev
A	<Doc>	<Rev Co
Date:	Friday, April 20, 2007	Sheet 1 of 1